

SPECIFICATION

STAGE V



TELESKID 3TS-8W

Operating weight: 4248kg Overall height: 2.1m Gross engine power: 55KW (74hp)





UNRIVALLED STRENGTH

With a high strength, telescopic steel boom, reliable components and extreme weather testing, the Teleskid has been designed and constructed to provide maximum performance.

UNRIVALLED PRODUCTIVITY

The JCB Teleskid can do the work of four machines in one - a forklift, telehandler, compact wheel loader and skid steer loader, providing unbeatable productivity.

UNRIVALLED COMFORT & CONTROL

With the largest cab on the market and electric over hydraulic controls, the JCB Teleskid offers unbeatable comfort and control.



UNRIVALLED VERSATILITY

With a high reach capability of over four metres and forward reach of over two metres, now you can go places and do things other skid steers can't.

UNBEATABLE SERVICEABILITY

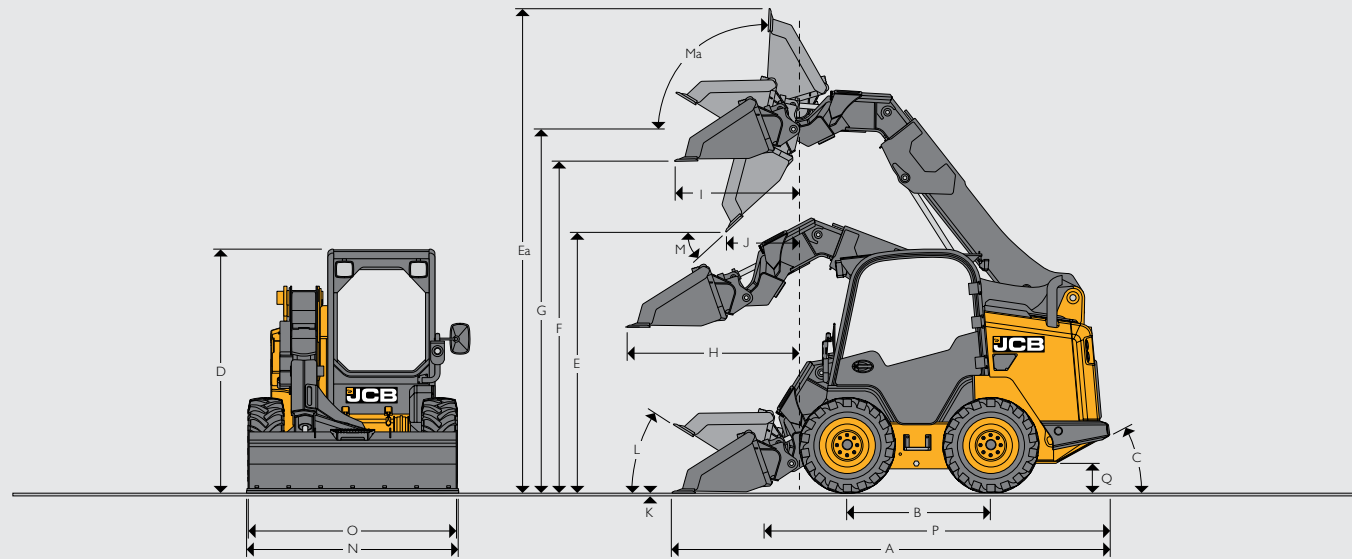
A tilting cab design and large rear service door make daily maintenance quick and easy.

UNRIVALLED SAFETY

The side door access allows for safe entry and exit without having to climb over potentially dangerous attachments, as on competitor machines with front entry.



STATIC DIMENSIONS



| MACHINE MODEL | | 3TS-8W | | |
|---------------|--|----------------|------|---------------|
| | | Retracted Boom | | Extended Boom |
| A | Overall length | m | 3.8 | 4.9 |
| B | Wheelbase | m | | 1.25 |
| C | Angle of departure | degrees | | 29 |
| D | Overall height | m | | 2.1 |
| E | Dump height | m | 2.3 | 3.1 |
| Ea | Crowd height | m | 4.1 | 5.1 |
| F | Loadover height | m | 2.94 | 3.7 |
| G | Height to hinge pin fully raised | m | 3.2 | 4.05 |
| H | Reach @ ground level | m | 1.1 | 2.25 |
| I | Max. Reach @ full height | m | 1.07 | 1.7 |
| J | Reach @ full height - fully dumped | m | 0.6 | 1.4 |
| K | Dig depth (toe plate horizontal) clearance | mm | | -10 |
| L | Rollback @ ground | degrees | | 30 |
| M | Dump angle | degrees | | 42 |
| Ma | Max. rollback angle | degrees | | 94 |
| N | Shovel width - standard | m | | 1.85 |
| O | Width over tyres - standard | m | | 1.8 |
| | Width over tyres - optional | m | | 1.92 |
| P | Length without attachment | m | | 3.02 |
| Q | Ground clearance | mm | | 300 |
| | Rated operating capacity 50% | kg | 1483 | 632 |
| | Shovel capacity - standard | m ³ | | 0.43 |
| | Shovel capacity - optional | m ³ | | 0.36 |

TURNING RADIUS

| | | |
|----------------------|---|------|
| Shovel corner radius | m | 2.3 |
| Quickhitch radius | m | 1.5 |
| Rear chassis radius | m | 1.76 |

SAE OPERATING WEIGHT

| | | |
|-----|----|------|
| Cab | kg | 4248 |
|-----|----|------|

ENGINE

| | | |
|---|----------------------|---------|
| Engine model | DeiselMax 430 TA5-55 | |
| Displacement | litres | 3.0 |
| Fuel | Diesel | |
| Cooling | Water | |
| Aspiration | Turbo | |
| Gross power @ 2400 rpm SAE J1995 | kW (hp) | 55 (74) |
| Gross torque @ 1500 rpm | Nm | 440 |
| Emission certification | Stage V | |
| Engine oil service interval hours | 500 | |
| Variable speed hydraulically driven fan | YES | |

SERVICE CAPACITIES

| | | |
|--------------------------------------|--------|------|
| Hydraulic system (including tank) | litres | 55 |
| Fuel tank | litres | 103 |
| Engine coolant | litres | 22 |
| Engine oil | litres | 14 |
| LH chaincase (wheeled machines only) | litres | 11.7 |
| RH chaincase (wheeled machines only) | litres | 11.7 |

HYDRAULIC PERFORMANCE

| | | |
|-----------------------|----|------|
| R.O.C extended | kg | 632 |
| R.O.C retracted | kg | 1483 |
| Tipping load extended | kg | 1264 |
| Loader lift extended | kg | 1269 |

HYDRAULICS

| | | |
|----------------------|-----|------|
| Pump flow @ 2300 rpm | lpm | 90 |
| Main relief pressure | bar | 230 |
| HYD HP low flow | kW | 34.8 |
| HYD HP high flow | kW | 47.8 |
| High flow | lpm | 125 |

ELECTRICS

| | | |
|---------------|---------|------------|
| Starter motor | kW (hp) | 4.2 (5.63) |
| Battery | V/Ah | 12 / 109 |
| Alternator | amps | 95 |

TRANSMISSION

| | | |
|--------------|------|-----------|
| Single speed | km/h | 10.9 |
| Two speed | km/h | 10.9 / 20 |

TYRES / TRACKS

| | |
|-------------------|--|
| Standard | 1 2 x 16.5 10PR HD Wide Track |
| Available options | 12 x 16.5 Brawler Solid Flex Industrial |
| | 12.5 x 16.5 10PLY Wide Track Lifemaster Industrial Pneumatic |

| EQUIPMENT | | | |
|---|---|--|---|
| Sealed cab with heater/defroster | • | Heavy-duty rear door guard | + |
| Air conditioning | • | Front screen guard | + |
| Centrifugal dry engine air filter with primary and secondary elements | • | Smooth ride system | • |
| Electrical quick hitch. Electronic hand throttle | • | Polycarbonate screen | + |
| Reverse camera | • | Creep speed | • |
| Emergency lower valve | • | Reversing fan | • |
| Fuel gauge | • | 2 Speed transmission | • |
| Hydraulic park brake | • | Livelink | • |
| Standard and high flow auxiliary hydraulics | • | MyChoice controls | • |
| Seat mounted seven-way joysticks | • | | |
| Rear service access door | • | OPERATOR ENVIRONMENT | |
| Tilting cab | • | Full ROPS and level I | • |
| Dozer float | • | Level 2 FOPS guard for demolition | + |
| Pod storage area | • | Full visual and audible warning system | • |
| Cup holder | • | EC noise directive compliant soundproofing | • |
| Power socket | • | Operator enclosure access through side door | • |
| Rear view mirror | • | Fully adjustable seat | • |
| Interior light | • | Retractable seat belt | • |
| Battery isolator | • | Touch screen 7" display | • |
| Foot throttle | • | Electric over hydraulic controls with JCB multi-function joysticks | • |
| Bluetooth radio | • | | |
| Twine cutter (wheeled units only) | • | LIGHTING AND ELECTRICS | |
| ISO/H pattern | • | 12 VDC negative ground system | • |
| Isolation mounted operator enclosure | • | 1,000 cold cranking amps (CCA) battery @-18°C | • |
| Changeover | • | Low charge pressure alarm | • |
| Fuel cap protection | • | Engine water temperature alarm | • |
| Vinyl air suspension heated seat | • | Blocked air filter pressure alarm | • |
| LED work lights | • | Engine oil pressure alarm | • |
| Road lights | + | Avoltage alarm | • |
| Beacon | + | Operator enclosure mounted fuse and relay box | • |
| Fire extinguisher | + | Standard battery disconnect | • |
| Toolkit | + | | |
| Self levelling / parallel lift | • | | |

STANDARD •

OPTIONAL +



JCB

JCB

930
8kW

JCB



ONE COMPANY, OVER 300 MACHINES.

Your nearest JCB dealer

TELESKID 3TS-8W

Operating weight: 4248kg Overall height: 2.1m Gross engine power: 55KW (74hp)

JCB Sales Limited, Rokester, Staffordshire, United Kingdom ST14 5JP.

Tel: +44 (0)1889 590312 Email: salesinfo@jcb.com

Download the very latest information on this product range at: www.jcb.com

©2023 JCB Sales. All rights reserved. No part of this publication may be reproduced, stored in a retrieval system, or transmitted in any form or by any other means, electronic, mechanical, photocopying or otherwise, without prior permission from JCB Sales. All references in this publication to operating weights, sizes, capacities and other performance measurements are provided for guidance only and may vary dependant upon the exact specification of machine. They should not therefore be relied upon in relation to suitability for a particular application. Guidance and advice should always be sought from your JCB Dealer. JCB reserves the right to change specifications without notice. Illustrations and specifications shown may include optional equipment and accessories. The JCB logo is a registered trademark of J.C. Bamford Excavators Ltd.

